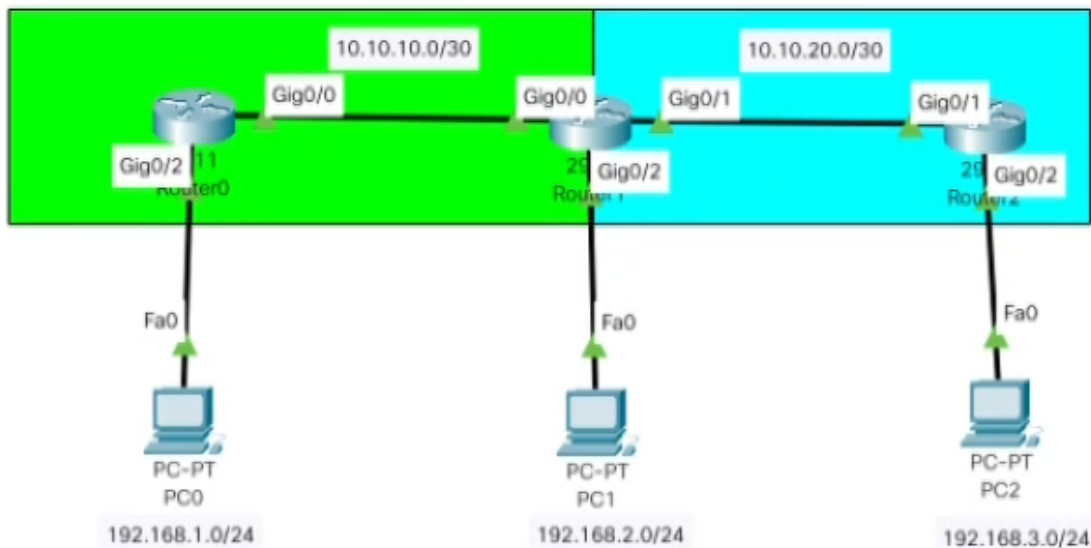


Praktikum 5

Routing Campuran (EIGRP + Static)

NO	KETERANGAN
1	Buatlah Topologi dengan Packet Tracer sebagai berikut



2	Berikan IP kepada Router 2911 dan PC sebagai berikut
---	--

Router0:

GigabitEthernet0/0 - 10.10.10.1 255.255.255.252
 GigabitEthernet0/2 - 192.168.1.1 255.255.255.0 - Gateway

Router1:

GigabitEthernet0/0 - 10.10.10.2 255.255.255.252
 GigabitEthernet0/1 - 10.10.20.1 255.255.255.252
 GigabitEthernet0/2 - 192.168.2.1 255.255.255.0 - Gateway

Router2:

GigabitEthernet0/1 - 10.10.20.2 255.255.255.252
 GigabitEthernet0/2 - 192.168.3.1 255.255.255.0 - Gateway

PC0 : 192.168.1.2 255.255.255.0, GW: 192.168.1.1
 PC1 : 192.168.2.2 255.255.255.0, GW: 192.168.2.1
 PC2 : 192.168.3.2 255.255.255.0, GW: 192.168.3.1

3	Konfigurasi EIGRP Routing
---	---------------------------

Router0:

```
Router#config t
Router(config)#router eigrp 25
```

```
Router(config-router)#no auto
Router(config-router)#net 10.10.10.0
Router(config-router)#net 192.168.1.0
Router(config-router)#
```

Router1:

```
Router#config t
Enter configuration commands, one per line. End with CNTL/Z.
Router(config)#router eigrp 25
Router(config-router)#no auto
Router(config-router)#net 10.10.20.0
Router(config-router)#net 192.168.2.0
```

4 | Konfigurasi Static Routing

Router1:

```
ip route 192.168.3.0 255.255.255.0 10.10.20.2
```

Router2:

```
Router#config t
Enter configuration commands, one per line. End with CNTL/Z.
Router(config)#ip route 192.168.1.0 255.255.255.0 10.10.20.1
Router(config)#ip route 192.168.2.0 255.255.255.0 10.10.20.1
Router(config)#ip route 10.10.10.0 255.255.255.0 10.10.20.1
```

5 | Konfigurasi Redistribute di Router Tengah (Antara EIGRP dan Static)

Router1:

```
Router(config)#router eigrp 25
Router(config-router)#redistri
Router(config-router)#redistribute static
4 Cek Router Untuk Keberhasilan Routing, show ip route. Contoh: Router0
ROUTER0:
```

```
10.0.0.0/8 is variably subnetted, 3 subnets, 2 masks
C 10.10.10.0/30 is directly connected, GigabitEthernet0/0
L 10.10.10.1/32 is directly connected, GigabitEthernet0/0
D 10.10.20.0/30 [90/3072] via 10.10.10.2, 00:05:17, GigabitEthernet0/0
192.168.1.0/24 is variably subnetted, 2 subnets, 2 masks
C 192.168.1.0/24 is directly connected, GigabitEthernet0/2
L 192.168.1.1/32 is directly connected, GigabitEthernet0/2
D 192.168.2.0/24 [90/5376] via 10.10.10.2, 00:05:14, GigabitEthernet0/0
D EX 192.168.3.0/24 [170/5376] via 10.10.10.2, 00:01:03, GigabitEthernet0/0
```

ROUTER1:

```
10.0.0.0/8 is variably subnetted, 4 subnets, 2 masks
C   10.10.10.0/30 is directly connected, GigabitEthernet0/0
L   10.10.10.2/32 is directly connected, GigabitEthernet0/0
C   10.10.20.0/30 is directly connected, GigabitEthernet0/1
L   10.10.20.1/32 is directly connected, GigabitEthernet0/1
D   192.168.1.0/24 [90/5376] via 10.10.10.1, 00:04:33, GigabitEthernet0/0
192.168.2.0/24 is variably subnetted, 2 subnets, 2 masks
C   192.168.2.0/24 is directly connected, GigabitEthernet0/2
L   192.168.2.1/32 is directly connected, GigabitEthernet0/2
S   192.168.3.0/24 [1/0] via 10.10.20.2
```

ROUTER2:

```
10.0.0.0/8 is variably subnetted, 3 subnets, 3 masks
S   10.10.10.0/24 [1/0] via 10.10.20.1
C   10.10.20.0/30 is directly connected, GigabitEthernet0/1
L   10.10.20.2/32 is directly connected, GigabitEthernet0/1
S   192.168.1.0/24 [1/0] via 10.10.20.1
S   192.168.2.0/24 [1/0] via 10.10.20.1
192.168.3.0/24 is variably subnetted, 2 subnets, 2 masks
C   192.168.3.0/24 is directly connected, GigabitEthernet0/2
L   192.168.3.1/32 is directly connected, GigabitEthernet0/2
```

5 Tes PING dari Ujung ke Ujung, dan Pastikan Sukses

Fire	Last Status	Source	Destination	Type	Color	Time(sec)	Periodic	Num	Edit
	Successful	PC0	PC2	IC...		0.000	N	0	(e...

6 Selesai